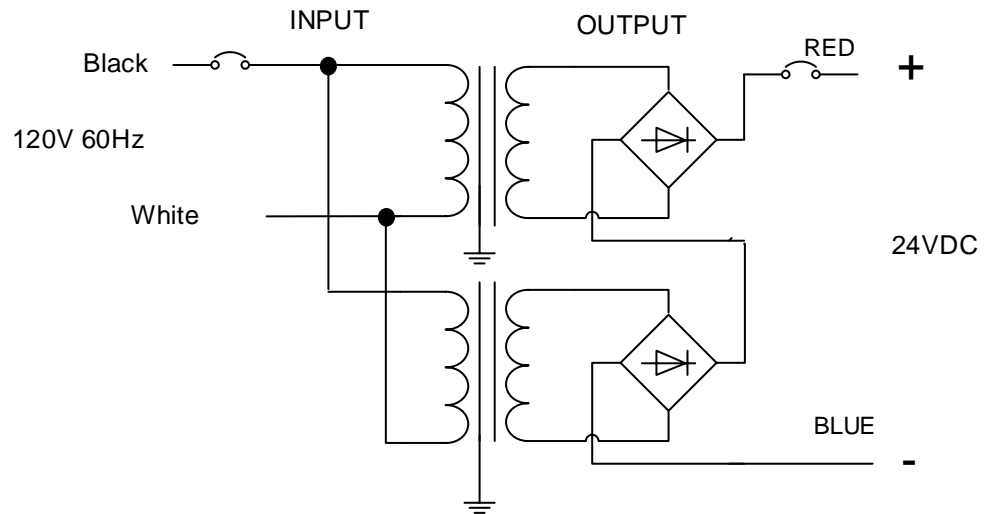
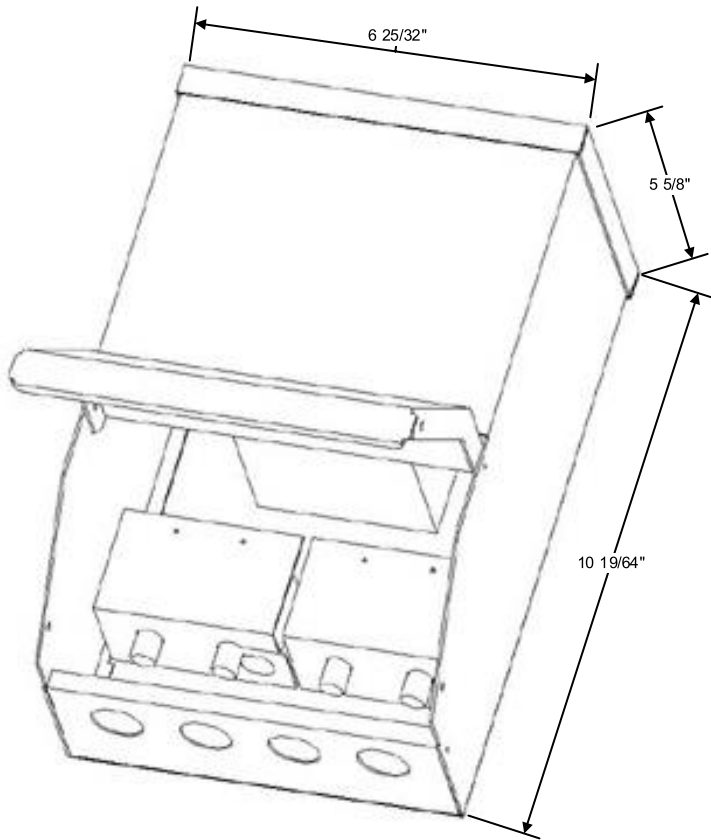


**NOTES:**

1. Output voltage in table 1 with 120VAC applied and fully loaded.
2. Maximum no load input current : 1.0A
3. Enclosure Temperature does not exceed 70°C in a 40°C ambient, fully loaded.
4. The actual two 300W transformers are encapsulated in the enclosure.
5. The transformer is dimmable with all MLV, CL dimmers as long as you cover min. load for dimmer.
6. Input leads are 18 AWG output leads are 12 AWG. Lead insulation is 105°C.
7. The transformer uses a class B (130°C) insulation system.
8. The transformer has a manual reset thermal 10 A circuit breaker on the primary and 25A on the secondary side.
9. Wiring compartment has 4 bottom knockouts sized for 3/4 inch screw cable connectors.
10. The cover for the wiring compartment is secured in place by clips.
11. The enclosure is black powder coated.



**Table 1.**

Output Volts DC	
120VAC	
1 X 23.5	



15545 Cabrito RD  
Van Nuys, CA 91406  
www.emcod.com

NAME	DATE	SING.	PAGE	SCALE
DRW.			OF	no scale
CHK.				TOLERANCE ±
APV.				
PART No. <b>EM600S24DC-M2-1</b> REV. <b>A</b>			DESCRIPTION: Indoor/outdoor24VDC 600VA Low voltage Transformer.	