

ECC-010-UD

Constant Current UNIV 5 in 1 dimming

Plastic Suitable For Dry And Damp Location Enclosure

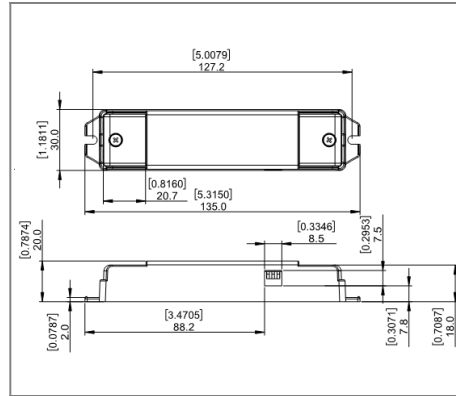
Single Circuit: **3-42VDC**

Total Wattage: **10W max**

Input Voltage: **100-277V 50/60Hz**



Conforms to UL STD. 8750
Certified to CSA
STD. C22.2 No 250.13



Output	Rated current (mA)	450mA	400mA	350mA	300mA	250mA	200mA	150mA	100mA
			⏏⏏⏏	⏏⏏	⏏⏏	⏏⏏	⏏⏏	⏏⏏	⏏⏏
	Current Tolerance	±25mA							
	DC Voltage	3-22V	3-25V	3-29V	3-33V	3-40V	3-42V	3-42V	3-42V
	Rated power	10W	10W	10W	10W	10W	8.4W	6.3W	4.2W

Transformer

Dimmable with triac forward and reverse phase, 0/1-10V , resistor, PWM
Temperature class B(130°C)

Housing

The actual transformer 10W is encapsulated in the enclosure
The enclosure is Plastic suitable for dry and damp location, IP20, wire
compartment is optional rated
Enclosure Temperature does not exceed 65°C at 45°C ambient and fully
loaded

Dimensions (inch): H = 1.2, W = 5, D = 0.8

Weight (LBs): 0.22

Electrical Parameters

Input Voltage: **100-277V 50/60Hz**

Max. input current at full load: **0.16A**

Output voltage without load: **52VDC**

Output voltage fully loaded: **VDC**

Max. Total Wattage: **10W**

Max. Output Current: **0.5A**

Efficiency: **76%**

Mailing Address: 646 Flinn Ave. Unit B, Moorpark , CA 93021 Tech support: Arik Nirenberg phone: 818-904-3309

Fax: 818 904 3327 info@emcod.com techsupport@emcod.com