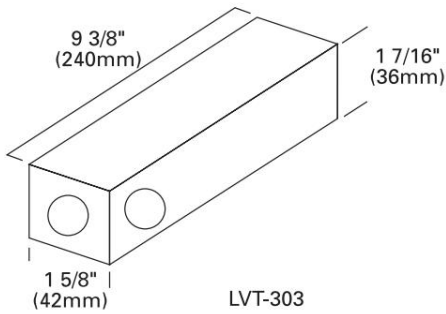
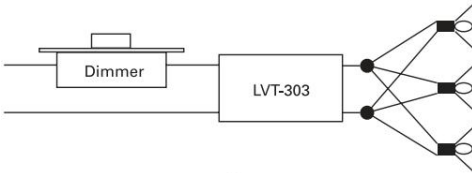


## LVT 303 300W 12V

300W electronic transformer in LVT housing. 12V. Potted. 120V input.

Current: AC



## Specs

Power:	300.0 W
Min. Power:	50.0 W

## Input specs

Power factor:	0.985
Input current:	2.5-2.5 A
Input voltage:	120.0-120.0 V

## Output specs

Output voltage:	11.7 V
Output current range:	25500.0-25500.0 mA

## Dimmable

Dimmable:	true
-----------	------

## Environment

Ta max:	35.0 °C
Tc:	90.0 °C

## Standards

UL:	E164062
-----	---------

## Mechanical

Potted:	true
Input wire size AWG:	18.0 AWG
Case color:	black
Output wire size:	14.0 AWG
Weight:	0.67 kg
Output wire color:	blue
Casing width:	42.0 mm
Casing length:	240.0 mm
Case material:	Aluminum
Input wires color:	black/white
Casing height:	36.0 mm

### Notes:

- Specifications may vary without notice
- Always consult National, State and local electrical codes
- IP67 products should never be immersed or exposed to direct rainfall
- Parameters are measured at rated output, rated load and at an ambient temperature of 25°C
- Expect slight variation including component tolerance, setup tolerance, line regulation and load regulation
- Power supplies should always be stress tested and tested for EMC within specific fixtures
- Where grounding/earthing is not indicated, avoid grounding/earthing or contact with grounded/earthed metal enclosures
- Performance with dimmers, where supported, may vary depending on dimmer model
- Subject to limited warranty (3yr for transformers, 5yr for drivers) terms and conditions as published from time to time

Manufacturer is responsible for FCC compliance of their final product.

For additional information, visit [www.lighttechinc.com](http://www.lighttechinc.com)