

# EGP100P12AC

## Magnetic Dimmable

Outdoor Black Powder Coated Steel Enclosure

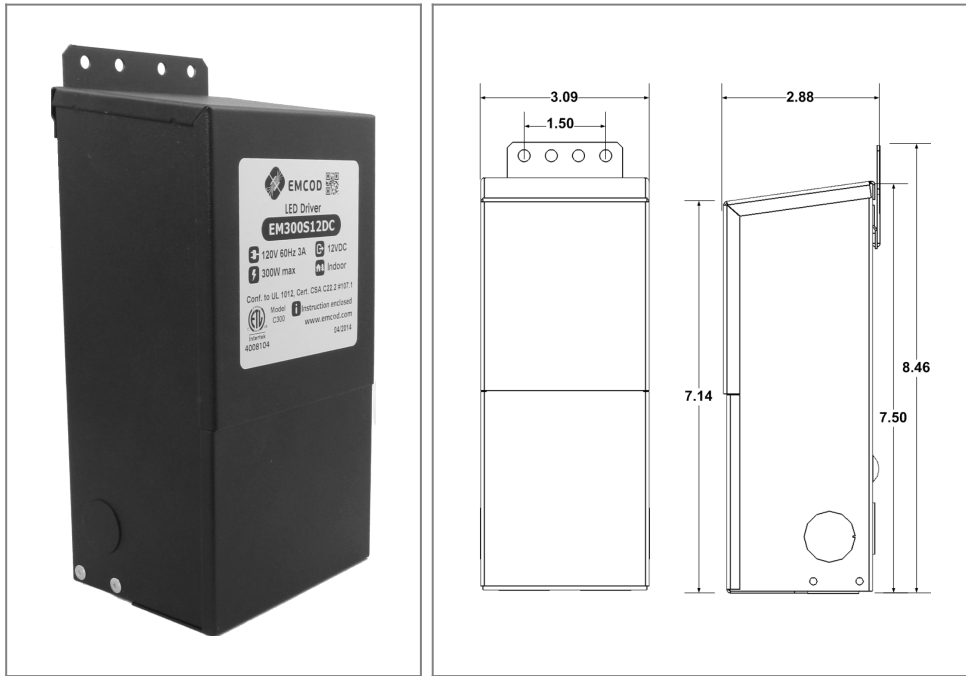
Double Circuit: **12/24VAC**

Total Wattage: **100W max**

Input Voltage: **120V 60Hz**



Conforms to UL STD. 2108  
Certified to CSA  
STD. C22.2 № 250.0  
model EM150  
[Link to certification](#)



### Transformer

Dimmable with any LV magnetic dimmer as long as you cover dimmer's min load.

Temperature class B(130°C)

Two section bobbin completely separated primary and secondary windings

Input leads are 18AWG 600V

Output leads are 12AWG 300V

Leads max. operational temperature is 105°C

Thermal manually reset primary breaker 2A per circuit

### Housing

The actual transformer 100W is encapsulated in the enclosure

The enclosure is Black Powder Coated Steel, NEMA 3R rated

Wiring compartment has 6 knockouts sizes for 3/8 inch screw cable connectors

Enclosure Temperature does not exceed 75°C at 45°C ambient and fully loaded

Dimensions (inch): H = 7.5, W = 3.1, D = 2.94

Weight (LBs): 0.6

### Electrical Parameters

Input Voltage: **120V 60Hz**

Max. input current at full load: **1A**

Output voltage without load: **13.9/ 25.8VAC**

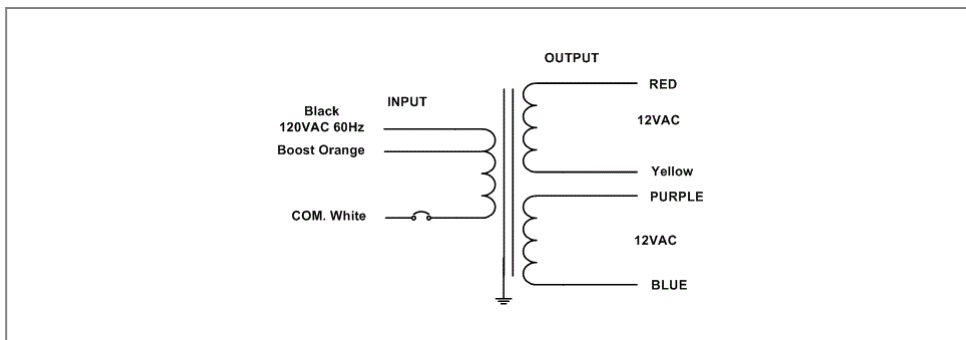
Output voltage fully loaded: **11.8/ 23.8VAC**

Max. Total Wattage: **100W** Max. per circuit: **50W**

Max. Output Current: **8.3/ 4.2A** per circuit.

Efficiency: **87%**

Load regulation: **7%**



Mailing Address: 15545 Cabrito Rd. Van Nuys, CA 91406 Tech support: Arik Nirenberg phone: 818-904-3309 cellphone: 818-269-4091  
Fax: 818 904 3327 info@emcod.com techsupport@emcod.com