

EGP300P12AC

Magnetic Dimmable

Outdoor Black Powder Coated Steel Enclosure

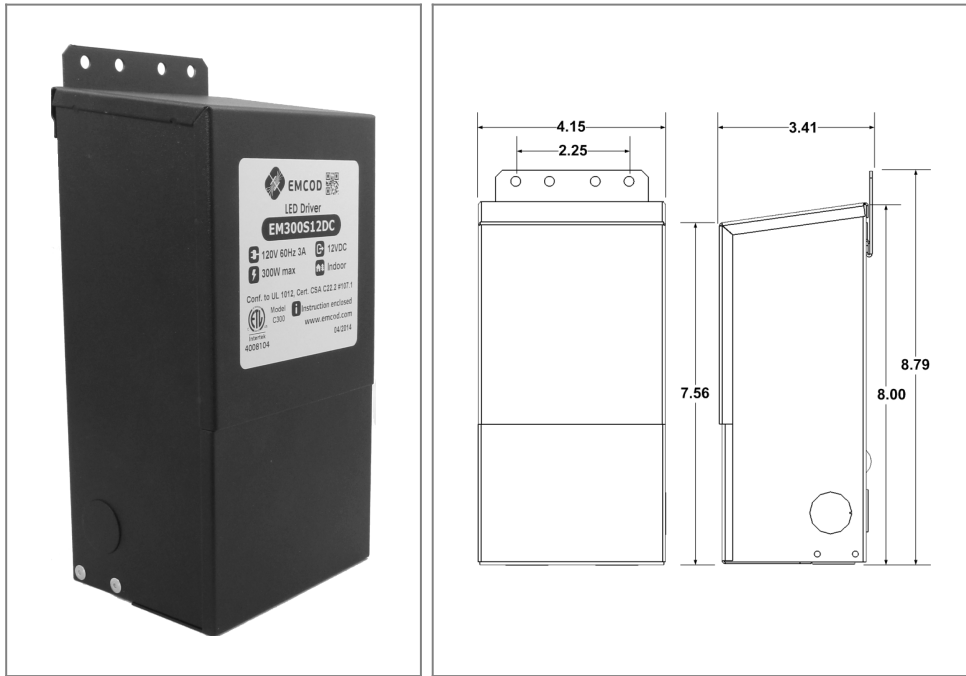
Double Circuit: **12/24VAC**

Total Wattage: **300W max**

Input Voltage: **120V 60Hz**



Conforms to UL STD. 1012
Certified to CSA
STD. C22.2 No 107.1
model EM300
[Link to certification](#)



Transformer

Dimmable with any LV magnetic dimmer as long as you cover dimmer's min load.

Temperature class B(130°C)

Two section bobbin completely separated primary and secondary windings

Input leads are 18AWG 600V

Output leads are 12AWG 300V

Leads max. operational temperature is 105°C

Thermal manually reset primary breaker 5A

25A per circuit

Housing

The actual transformer 300W is encapsulated in the enclosure

The enclosure is Black Powder Coated Steel, NEMA 3R rated

Wiring compartment has 6 knockouts sizes for 3/8 inch screw cable connectors

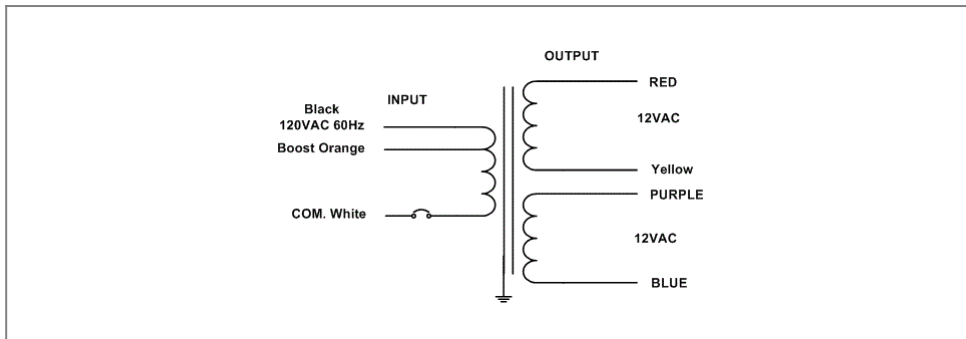
Enclosure Temperature does not exceed 75°C at 45°C ambient and fully loaded

Dimensions (inch): H = 8, W = 4.1, D = 3.1

Weight (LBs): 0.9

Electrical Parameters

Input Voltage:	120V 60Hz
Max. input current at full load:	2.8A
Output voltage without load:	12.4/ 24.8VAC
Output voltage fully loaded:	11.8/ 23.8VAC
Max. Total Wattage:	300W Max. per circuit: 150W
Max. Output Current:	25/ 12.5A per circuit.
Efficiency:	93%
Load regulation:	7%



Mailing Address: 15545 Cabrito Rd. Van Nuys, CA 91406 Tech support: Arik Nirenberg phone: 818-904-3309 cellphone: 818-269-4091
Fax: 818 904 3327 info@emcod.com techsupport@emcod.com